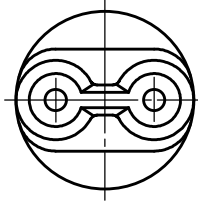
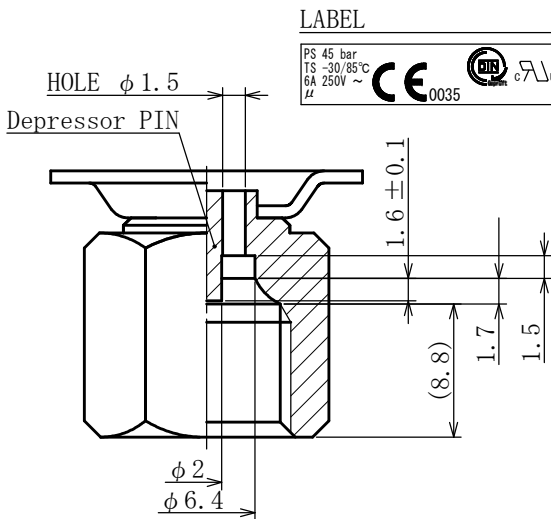
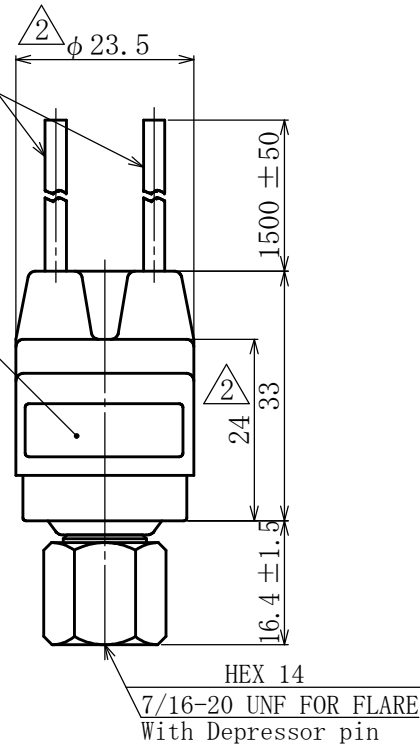


OPERATING PRESSURE CHANGES ACCORDING  
TO CHANGE OF AMBIENT TEMP ON WATER  
PROOF TYPE

AMBIENT TEMP	-20°C	70°C	100°C
CHANGE OF CHARACTERISTICS	-0.2 bar	+0.25 bar	+0.4 bar



HEAT PROOF ELECTRIC VINYL WIRE  
UL1015, AWG18, 105°C (BLUE)



LABEL



(2:1)

★CONFIRMATION OF DESIGN VALIDITY

We manufacture the product based on the specifications described in this drawing. Please check the safety and validity in the product design in consideration that the product is conformed to the system or not when using.

AUG. 03, 2015	②	REV. Polyamide resin material and shape
JUN. 10, 2010	①	REV. DIN Registration number
DATE	SIGN	CHANGE CONTENT

OPERATING PRESS. SETTING	UNIT: bar		DIFFERENTIAL
	OFF	ON	
OPERATING CHARACTERISTICS	1.2 ± 0.3	2.2 ± 0.4	—
ELECTRICAL RATINGS	RATED VOLTAGE (V)		A C
	RATED AMPS. (A)		250
	INDUCTIVE AMPS.		1 ~ 6
TYPE OF CONTACT	SINGLE POLE SINGLE THROW 		
CONTACT RESISTANCE	LESS THAN 200 mΩ		
INSULATION RESISTANCE	NOT LESS THAN 100 MΩ AT DC 500V MEGGER		
DIELECTRIC STRENGTH	WITHSTAND 1500V AC FOR ONE MINUTE		
MAX. PRESSURE	35 bar		
AIR TIGHT PRESS.	35 bar		
TEST PRESS.	40 bar		
MAX. ALLOW. TEMP.	AMBIENT TEMP. -30 ~ 85°C (But no freeze) FLUID TEMP. -54 ~ 135°C		
DURABILITY	10,000 TIMES		
TÜV APPROVED	EN 12263 DIN 32733 (PSH/PSL 4B061) (4BPSH/PSL059)		
UL FILE NO.	E43867, E31024		
C-UL FILE NO.			

Checked by	Date	Name	
A. K.	DEC. 20 2002	TYPE CB PRESSURE SWITCH	
Designed by	Scale	Catalog Number	Drawing Number
M. Y.	1:1	ACB-2UA122W	N-CB-21394-2
Drawn by	Code No. :061F 6069		
N. M.			

